

[LANCIA](#) / [YPSILON](#) / [1.3 JTD](#) / [PROCEDURES](#) / [70 FITTINGS](#) / [7005 PASSENGER COMPARTMENT FRONT SIDE DOORS](#)
 / [7005E FRONT SIDE DOOR TRIM](#) / 7005E08 FRONT SIDE DOOR INTERIOR PANEL R R

2429506 - 7005E08 front side door interior panel r r

 Removing ([Refitting](#) )

- [7005C44 interior handle panel - r r](#)
- [7005M11 Driver's front door electric window control SWITCH - R.R.](#)
- [7005M12 passenger side front door electrically operated window switch - r r](#)
- [7005E12 corner cover of one front side door, lh or rh r r](#)

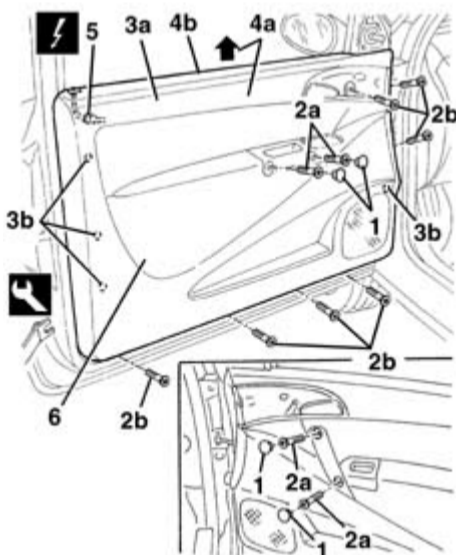
1. Release the covers.
2. Undo the bolts (2a) and (2b). The driver's door panel differs from the passenger door panel through the different position of the bolts (2a) as shown in the diagram.
3. Release the panel (3a) inner retainers (3b) using the special tool.



	Name	Country
3	Scraper blade	1.878.077.000

4. Lift up the panel (4a) to release the upper profile (4b) from the door frame.
5. (Driver's door only). Disconnect the anti-theft device deterrent LED connector.

	Name	Connector
5	Driver's front door locking / unlocking LED	E36

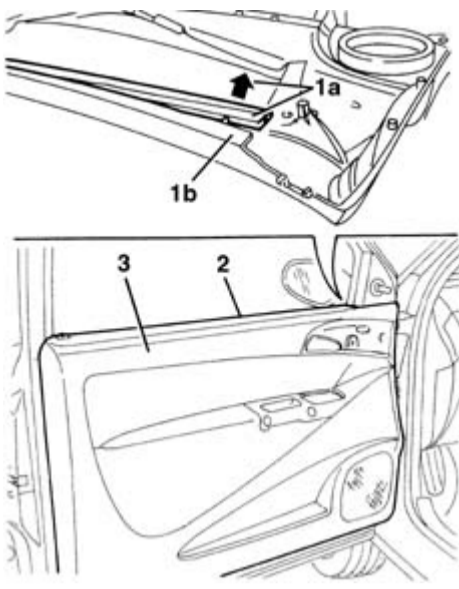
6. Keep the door pane.



 Refitting ([Removing](#) )

Check that the panel is undamaged and that the retainers are undamaged and correctly positioned.

1. Detach the inner glass scraper (1a) from the panel housing (1b).
- Connect the electrical connection (driver's door only).
2. Fit the glass scraper in the door frame housing.
 3. Fit the panel on the glass scraper and attach the retainers.



Tighten the bolts and fit the covers.

- [7005E12 corner cover of one front side door, lh or rh r r](#)
- [7005M12 passenger side front door electrically operated window switch - r r](#)
- [7005M11 Driver's front door electric window control SWITCH - R.R.](#)
- [7005C44 interior handle panel - r r](#)